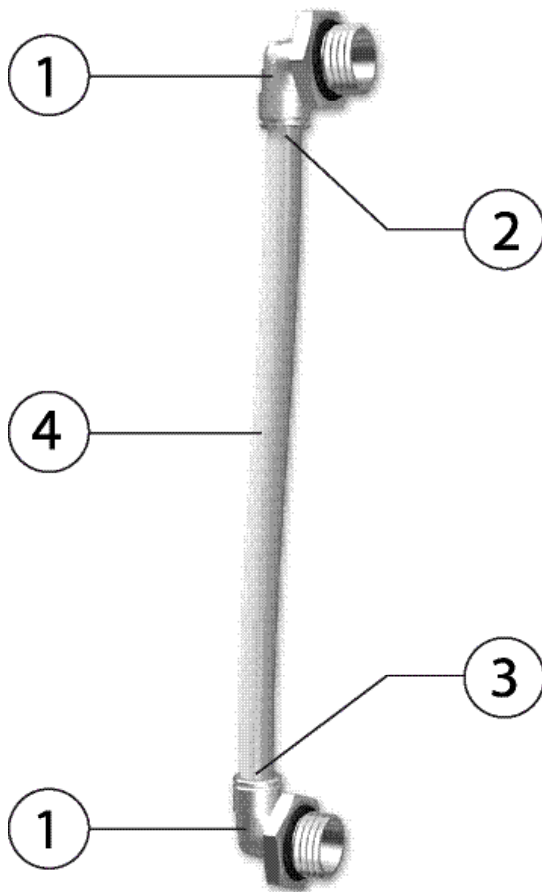
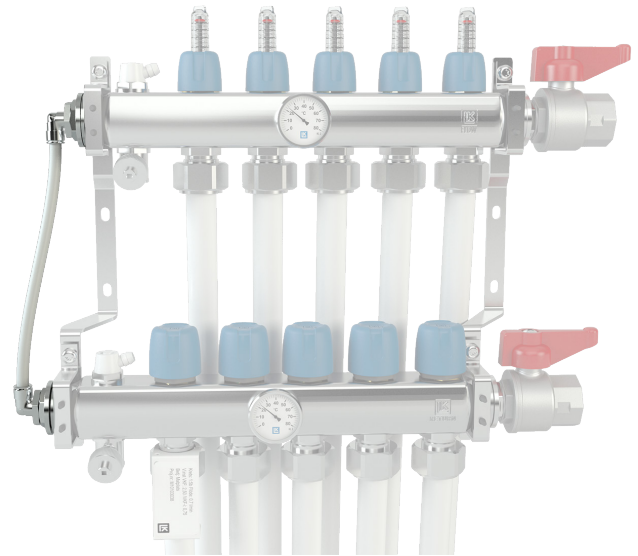


# LK By-Pass RF

## DESIGN

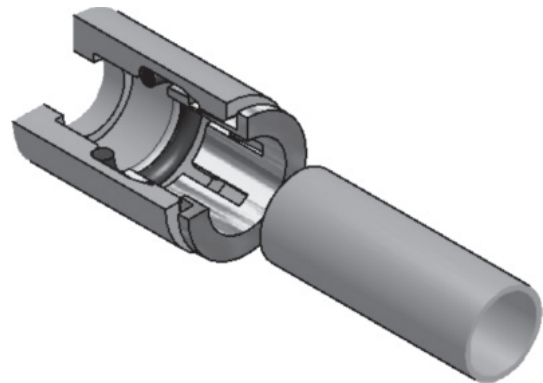
The By-Pass set consists of two self-sealing 90° elbows, which are assembled onto the end connections of LK Manifold RF. The 90° elbows are rotatable and have PushFit connections for the By-Pass pipe. The flexible By-Pass pipe is made of 8x1 mm PE-Xa. The By-Pass pipe is preassembled with support insert and venturi. When assembled, the By-Pass extends the width of the manifold installation by approx. 15 mm. The By-Pass set can be assembled to the right or left of LK Manifold RF.



1. Rotatable LK PushFit 90° x 1/2" male elbow
2. Position of venturi
3. Position of support insert
4. Flexible by-pass pipe Ø 8x1 mm PE-Xa

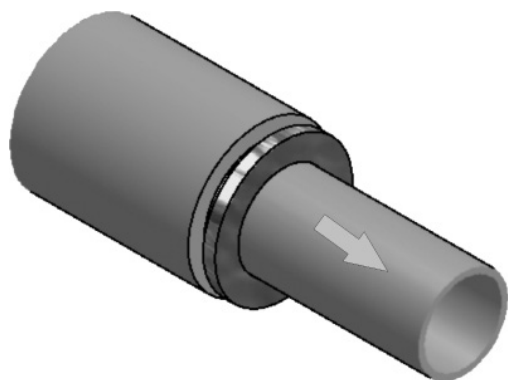
## ASSEMBLY

Assemble the 90° elbows in the 1/2" end connections of the manifold. The fittings are self-sealing against the manifold's 1/2" end connections.

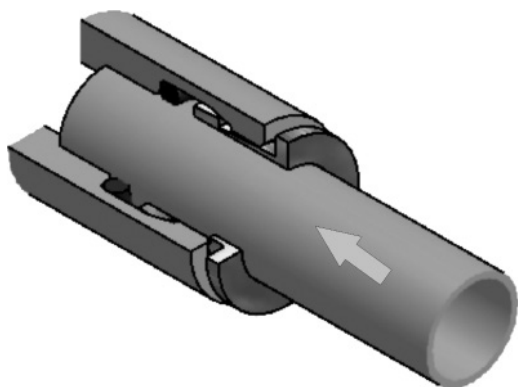


Check the pipe ends and ensure that there is one support insert and one venturi assembled in the by-pass pipe.

Push the pipe into the PushFit elbow until it comes to a stop. It is recommended that the pipe end with the venturi is in the upper connection.



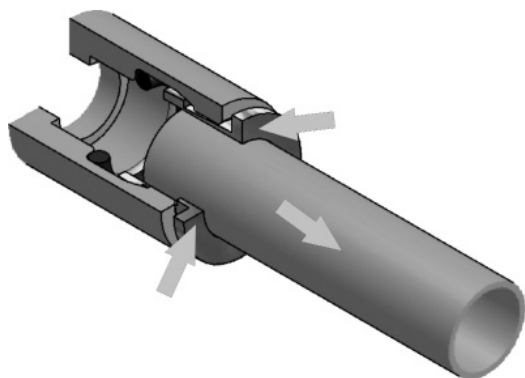
Check the connection by pulling the pipe. Checks should always be carried out before the system is filled.



Ensure that the pipe is fully inserted in the stop position. The connection is now secure.

Pressure test and check that there is no leakage after the installation is completed.

Disassembling pipe



The pipe can be disassembled from the connection. Push the clamp ring towards the fitting, whereupon the pipe can be pulled out.

### TECHNICAL DATA

|                                 |           |
|---------------------------------|-----------|
| Article no.                     | 241 94 69 |
| Kvs value                       | 0,05      |
| Max operating pressure          | 6 bar     |
| Max cont. operating temperature | 70°C      |

